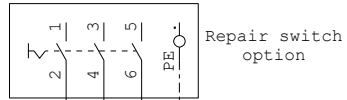
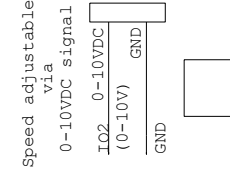
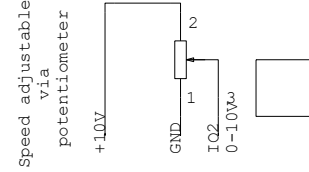
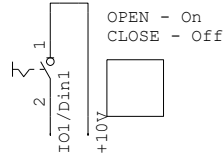


Attention!!
If a repair switch is selected,
the connection is made directly to the repair switch
without connection to the terminals



Customer circuit

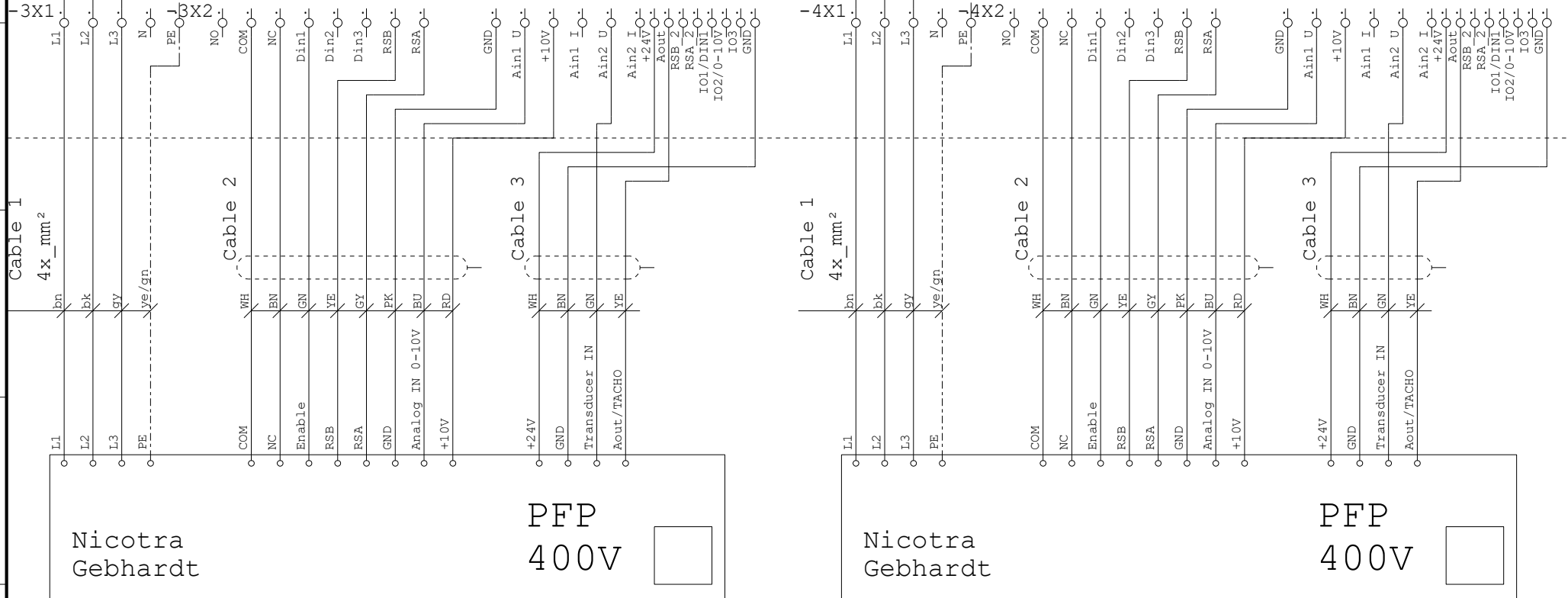


not scope
of supply of
Euroclima

Legend

White	WH
Brown	BN
Green	GN
Yellow	YE
Grey	GY
Pink	PK
Blue	BU
Red	RD
Black	BK
Violet	VI

Junction Box



Motor 3

Motor 4

For more information - see fan datasheet

Date	26.03.20			
Draw.	MaWi			
Check				
Status	rev.	Date	Nom	Norm



4x Nicotra PFP Series 400V

Position	=		
Project pages	+		
Total	86	Sheet	86
actual	86	von	86Bl.