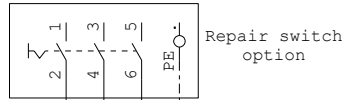
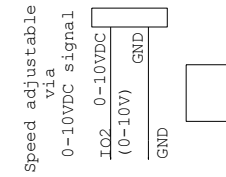
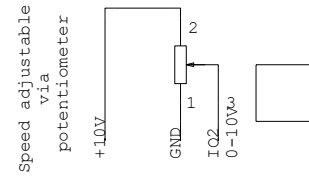
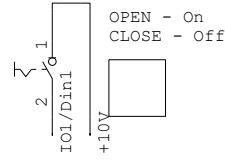


Attention!!
If a repair switch is selected,
the connection is made directly to the repair switch
without connection to the terminals



Customer circuit

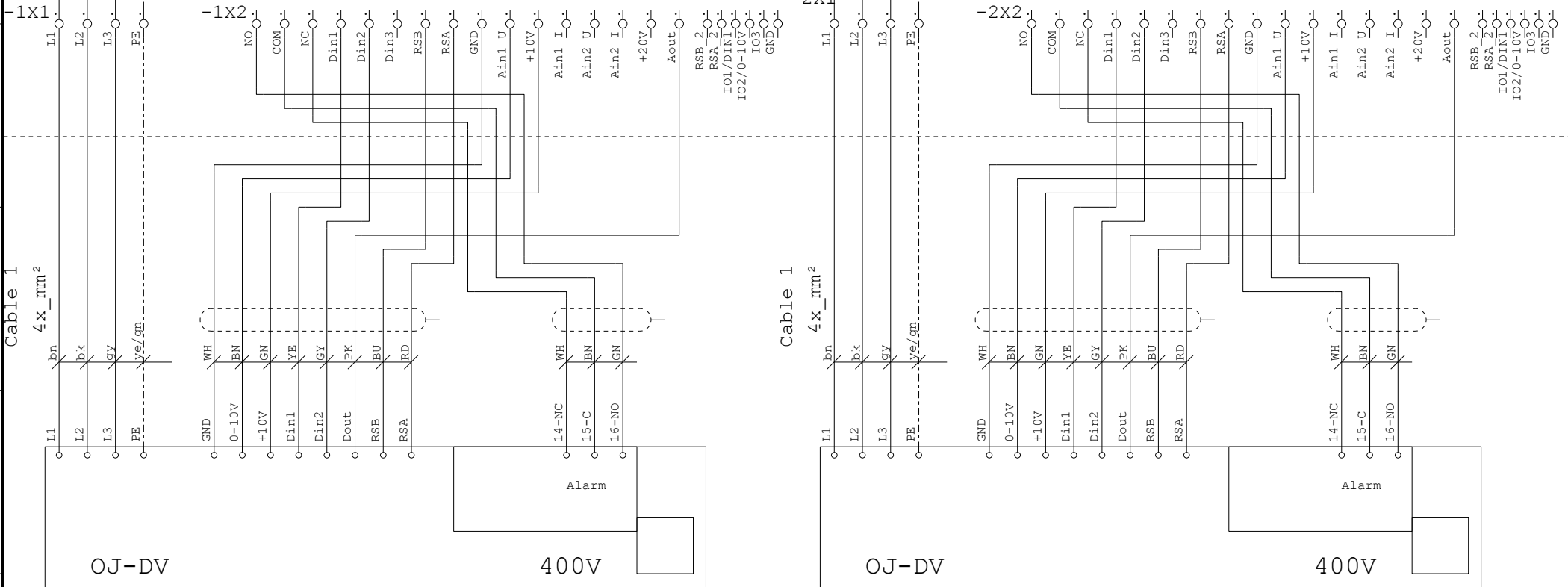


not scope
of supply of
Euroclima

Legend

White	WH
Brown	BN
Green	GN
Yellow	YE
Grey	GY
Pink	PK
Blue	BU
Red	RD
Black	BK
Violet	VI

Junction Box



For more information - see fan datasheet

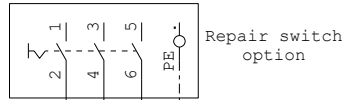
Date	26.03.20			
Draw.	MaWi			
Check				
Status	rev.	Date	Nom	Norm



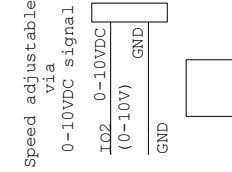
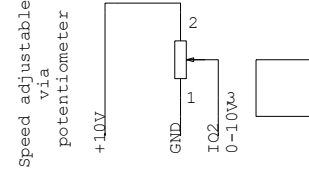
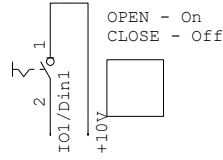
2x OJ/ORAVENT

Position	=		
Position	+		
Project pages		Sheet	66
Total	82	von	82Bl.
actual	66		

Attention!!
If a repair switch is selected,
the connection is made directly to the repair switch
without connection to the terminals



Customer circuit

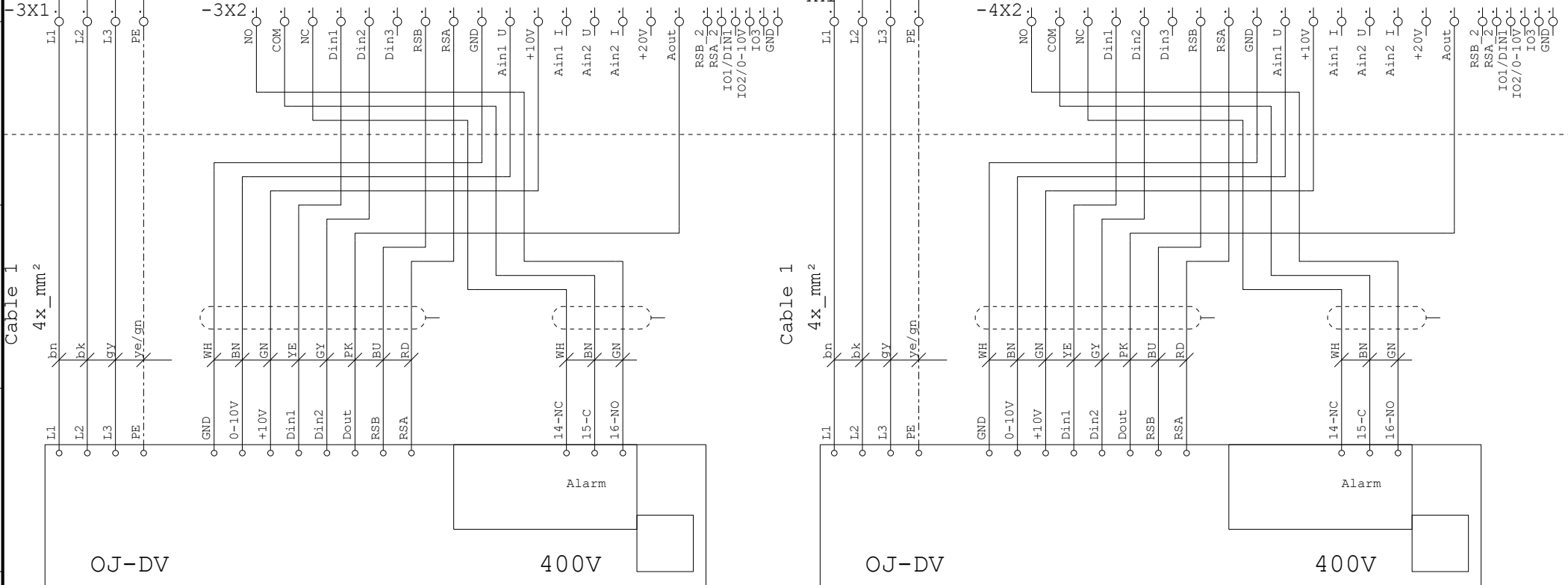


not scope
of supply of
Euroclima

Legend

White	WH
Brown	BN
Green	GN
Yellow	YE
Grey	GY
Pink	PK
Blue	BU
Red	RD
Black	BK
Violet	VI

Junction Box



For more information - see fan datasheet

Date	26.03.20			
Draw.	MaWi			
Check				
Status	rev.	Date	Nom	Norm



4x OJ/ORAVENT

Position	=		
Position	+		
Project pages		Sheet	81
Total	82	von	82Bl.
actual	81		